



39.6 (W) x 38.7 (H) x 85.5 (L) mm

DPS-24HB

FEATURES

- Total Power 24W, peak 38.4W for 4Sec.
- 90-264Vac Auto Range Input
- Efficiency : Meet DoE level VI
- High Reliability : > 100,000 Hours @ 25 °C, 100Vac/80% maximum load
- Protection : Short / Over-current / Over-voltage / Over-temperature
- Safety : CCC/CB/FCC/UL/BSMI
- EMI : CLASS B

Input	Voltage Range	90~264Vac Auto Range
	Frequency	47~63Hz
	Efficiency	The average efficiency at 25%, 50%, 75% and 100% load \geq 86.21%
	Input Current	100Vac/12V/2A load \leq 2A 240Vac/12V/2A load \leq 1A
Output	12V	0A ~ 2A
Protection	Over-current	Auto Recovery
	Over-temperature	Auto Recovery
	Short	Auto Recovery
	Over-voltage	Auto Recovery
Environment	Operating Temp.	0 to 40°C (Refer the Power de-rating curve) The PSU should turn on at -30 °C
	Storage Temp.	-20 to 70 °C
	Operating Humidity	20% - 85%
	Storage Humidity	5% - 95%



DELTA ELECTRONICS, INC.
3, TUNG YUAN ROAD, CHUNGLI
INDUSTRIAL ZONE
TAOYUAN SHIEH, TAIWAN, R.O.C.
TEL: 886-3-4526107
FAX: 886-3-4527314
mail: powersales@delta.com.tw

DELTA PRODUCTS CORPORATION
4405 CUSHING PARKWAY
FREMONT, CA 94538, U.S.A.
TEL: 1-510-668-5100
FAX: 1-510-668-0680

DELTA ELECTRONICS(JAPAN) INC.
DELTA SHIBADAIMON BLDG.
2-1-14 SHIBADAIMON, MINATO-KU,
TOKYO, 105-0012, JAPAN
TEL: 81-3-5733-1111
FAX: 81-3-5733-1211

DELTA ELECTRONICS, EUROPE LTD.
2 YOUNG PLACE KELVIN
INDUSTRIAL ESTATE EAST KILBROIDE,
GLASGOW G75 0TD, U.K.
TEL: 44-1355-588888
FAX: 44-1355-588889

The de-rating curve of ambient temperature shown as Fig.1.

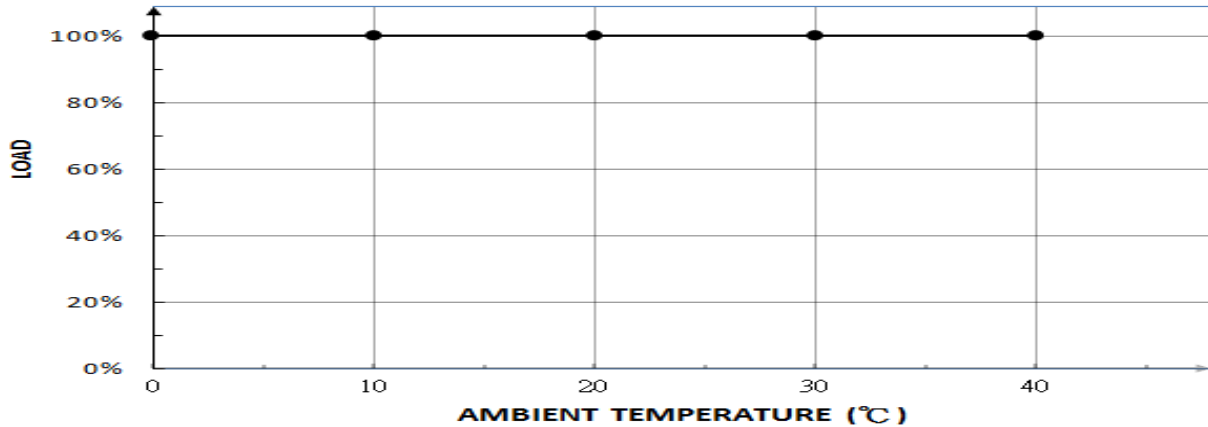
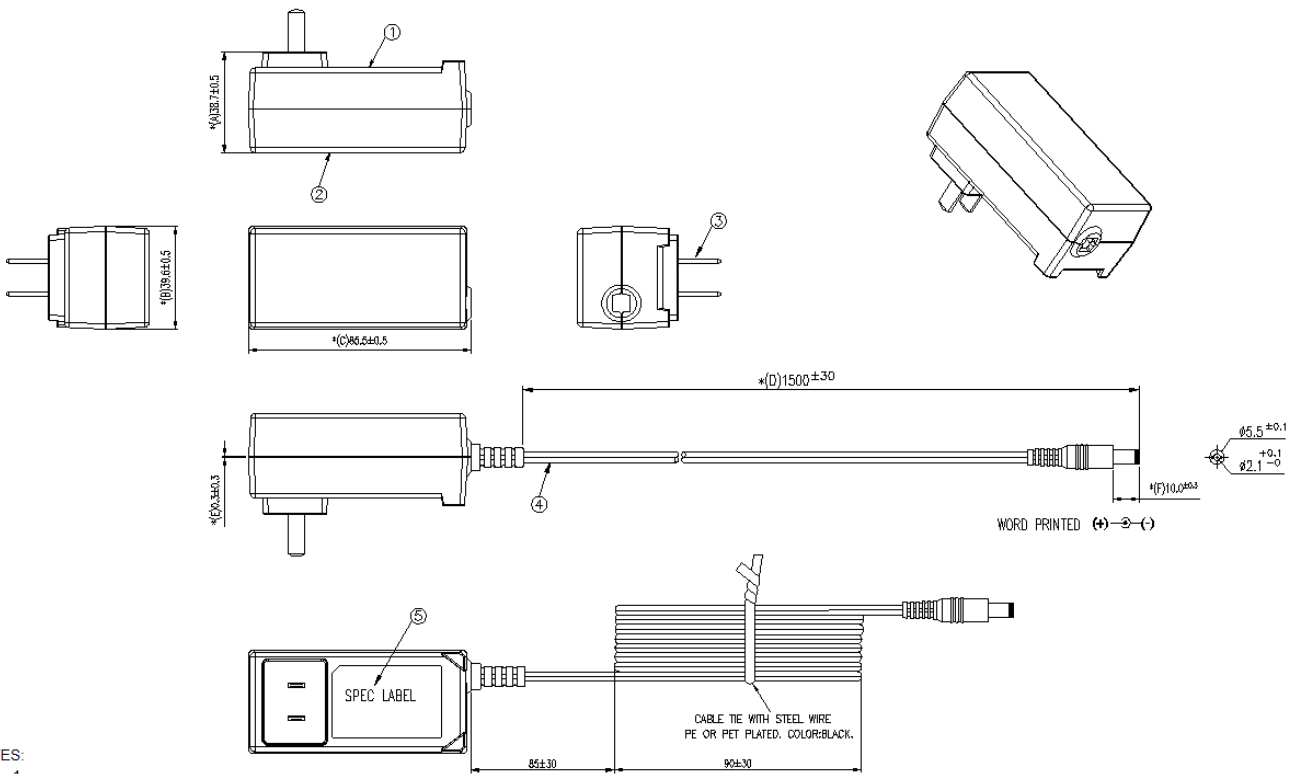


Fig.1 Power de-rating curve of Ambient temperature

Size : (L x W x H)	85.5*39.6*38.7mm
AC Input Connector	China integrated plug
DC Output Connector	TUNING FORK PLUG(2.1*5.5)



NOTES:

1.

ITEM	PART NAME	COLOR
①	CHASSIS	BLACK
②	COVER	BLACK
③	AC PIN	SILVER
④	POWER CORD	BLACK
⑤	LABEL	BLACK

2. *** IS CRITICAL DIM WHICH MUST BE MEASURED.